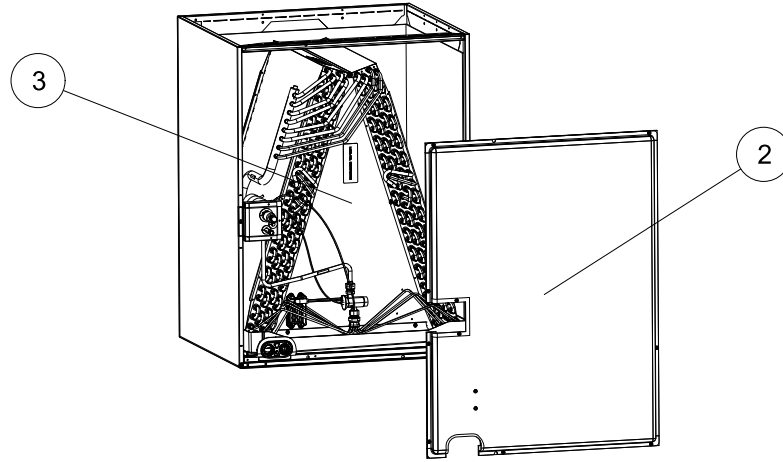


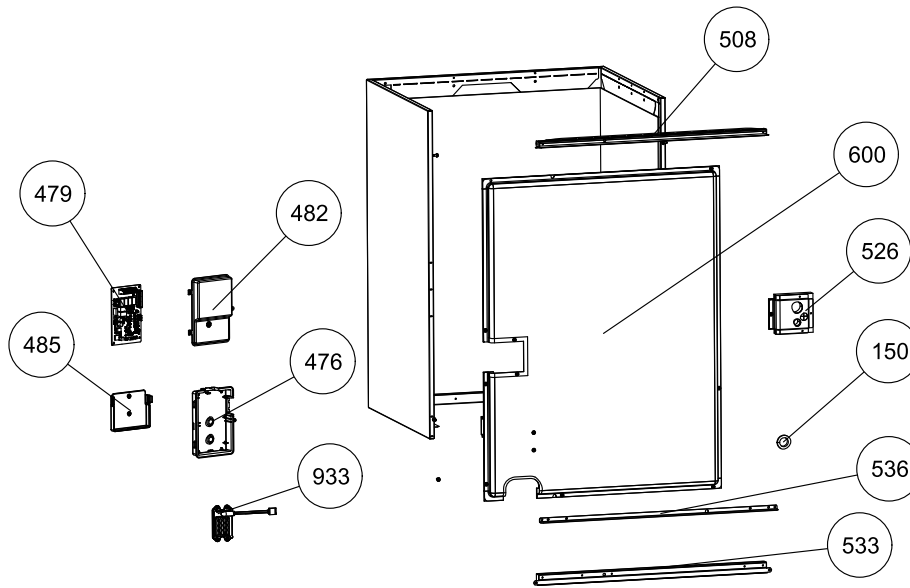
REPAIR PARTS LIST

PRINTED DATE: 1/28/2025

The information provided to you may include Johnson Controls' trade secrets, intellectual property, and confidential business information (including its Bill of Materials), and this information is to be kept in the strictest confidence and not to be disclosed to any third party without the prior written consent of Johnson Controls.



Section	Description
2	SHEET METAL / CABINET PARTS
3	REFRIGERATION SYSTEM
8	MISCELLANEOUS



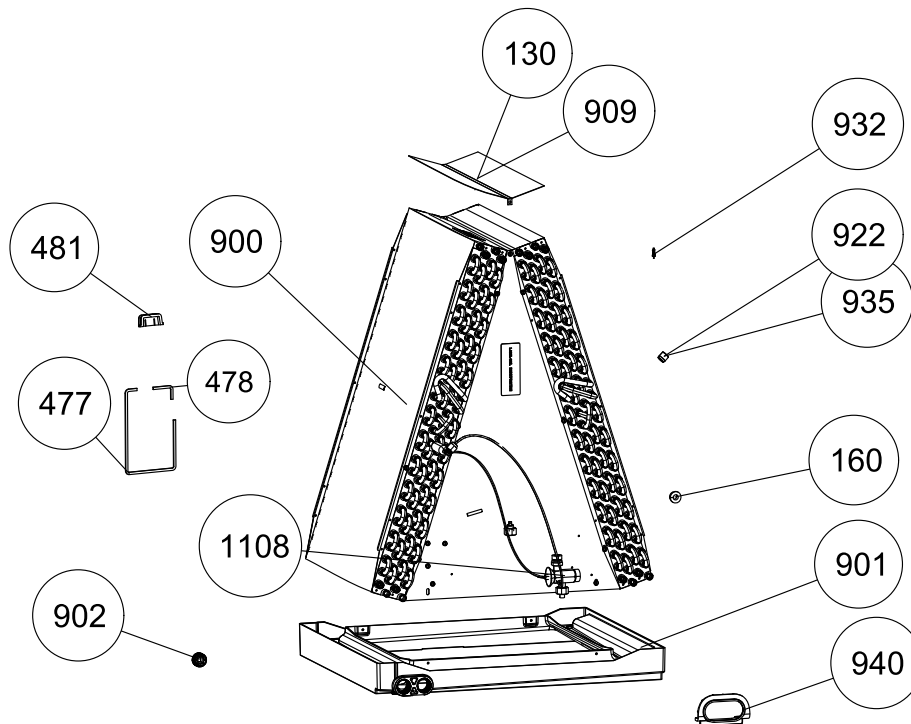
Section : SHEET METAL / CABINET PARTS

Section	Callout	Replacement Part #	Description	Original Part #	CTM42C5 CES1	CTM48C5 CFS1	CTM48D5 CFS1	CTM60C5 CGS1	CTM60C5 CHS1
2	150	S1-02813205000	GROMMET 7/8 INCH	S1-02813205000	1	1	1	1	1
2	150	S1-02818924000	GROMMET,0.406 INCH ID X 0.750 INCH	S1-02818924000	2	2	2	2	2
2	479	S1-03103893000	BOARD,CIRCUIT,CTF,CTU	S1-03103893000	1	1	1	1	1
2	480	S1-02553926000	HARNESS,MITIGATION CONTROL,10 PIN	S1-02553926000	1	1	1	1	1
2	600	S1-37349377001	PNL,ASM,LWR ACCESS,28.2 X 21.0,MP MMIST	S1-37349377001	1				
2	600	S1-37349378001	PNL,ASM,LWR ACCESS,32.4 X 21.0,MP MMIST	S1-37349378001		1			
2	600	S1-37349379001	PNL,ASM,LWR ACCESS,36.6 X 21.0,MP MMIST	S1-37349379001				1	
2	600	S1-37349380001	PNL,ASM,LWR ACCESS,38.4 X 21.0,MP MMIST	S1-37349380001					1
2	600	S1-37349381001	PNL,ASM,LWR ACCESS,32.2 X 24.5,MP MMIST	S1-37349381001			1		

Section	Callout	Replacement Part #	Description	Original Part #	CTM60D5 CGS1	CTM60D5 CHS1	CTM60D5 CJS1		
2	150	S1-02813205000	GROMMET 7/8 INCH	S1-02813205000	1	1	1		
2	150	S1-02818924000	GROMMET,0.406 INCH ID X 0.750 INCH	S1-02818924000	2	2	2		
2	479	S1-03103893000	BOARD,CIRCUIT,CTF,CTU	S1-03103893000	1	1	1		

2	480	S1-02553926000	HARNESS, MITIGATION CONTROL, 10 PIN	S1-02553926000	1	1	1		
2	600	S1-37349382001	PNL, ASM, LWR ACCESS, 36.6 X 24.5, MP MMIST	S1-37349382001	1		1		
2	600	S1-37349383001	PNL, ASM, LWR ACCESS, 38.4 X 24.5, MP MMIST	S1-37349383001		1			

Suggested stocking items are shown with shaded item number.


Section : REFRIGERATION SYSTEM

Section	Callout	Replacement Part #	Description	Original Part #	CTM42C5 CES1	CTM48C5 CFS1	CTM48D5 CFS1	CTM60C5 CGS1	CTM60C5 CHS1
3	900	S1-37349409010	COIL,W/DRAINPAN,3R/22/21.0,A LUM,TXV,5C	S1-37349409010	1				
3	900	S1-37349411012	COIL,W/DRAINPAN,3R/24/21.0,A LUM,TXV,5C	S1-37349411012		1			
3	900	S1-37349416017	COIL,W/DRAINPAN,3R/24/24.5,A LUM,TXV,5C	S1-37349416017			1		
3	900	S1-37349413014	COIL,W/DRAINPAN,3R/28/21.0,A LUM,TXV,5C	S1-37349413014				1	
3	900	S1-37349414015	COIL,W/DRAINPAN,3R/32/21.0,A LUM,TXV,5C	S1-37349414015					1
3	901	S1-02818864000	PAN,DRAIN,3R,21.0 IN,A-COIL	S1-02818864000	1	1		1	1
3	901	S1-02818865000	PAN,DRAIN,3R,24.5 IN,A-COIL	S1-02818865000			1		
3	902	S1-02812480001	PLUG,DRAIN PAN	S1-02812480001	3	3	3	3	3
3	902	S1-02818873000	PAN,DRAIN,HORIZONTAL,26.87 IN,A-COIL	S1-02818873000	1				
3	907	S1-02818874000	PAN,DRAIN,HORIZONTAL,30.90 IN,A-COIL	S1-02818874000		1	1		
3	907	S1-02818875000	PAN,DRAIN,HORIZONTAL,35.35 IN,A-COIL	S1-02818875000				1	
3	907	S1-02818876000	PAN,DRAIN,HORIZONTAL,37.26 IN,A-COIL	S1-02818876000					1
3	909	S1-07348813001	SHIELD.BLOWOFF,3 ROW	S1-07348813001	1	1	1	1	1
3	922	S1-02310745000	CAP,SEAL,KNURLED 7/1	S1-02310745000	1	1	1	1	1

3	932	S1-02202475700	CORE,VLV,V PORT (M10)	S1-02202475700	1	1	1	1	1
3	940	S1-02818913000	GASKET,DRAIN PAN	S1-02818913000	2	2	2	2	2
3	1108	S1-1TVM5C1	TXV KIT,R454B,3/4 INCH,CHATLEFF CONN 5C	S1-1TVM5C1	1	1	1	1	1

Section	Callout	Replacement Part #	Description	Original Part #	CTM60D5 CGS1	CTM60D5 CHS1	CTM60D5 CJS1		
3	900	S1-37349417018	COIL,W/DRAINPAN,3R/28/24.5,A LUM,TXV,5C	S1-37349417018	1				
3	900	S1-37349418019	COIL,W/DRAINPAN,3R/32/24.5,A LUM,TXV,5C	S1-37349418019		1			
3	900	S1-37349419020	COIL,W/DRAINPAN,4R/28/24.5,A LUM,TXV,5C	S1-37349419020			1		
3	901	S1-02818865000	PAN,DRAIN,3R,24.5 IN,A-COIL	S1-02818865000	1	1			
3	901	S1-02818866000	PAN,DRAIN,4R,24.5 IN,A-COIL	S1-02818866000			1		
3	902	S1-02812480001	PLUG,DRAIN PAN	S1-02812480001	3	3	3		
3	907	S1-02818875000	PAN,DRAIN,HORIZONTAL,35.35 IN,A-COIL	S1-02818875000	1		1		
3	907	S1-02818876000	PAN,DRAIN,HORIZONTAL,37.26 IN,A-COIL	S1-02818876000		1			
3	909	S1-07348813001	SHIELD.BLOWOFF,3 ROW	S1-07348813001	1	1			
3	909	S1-07348814001	SHIELD.BLOWOFF,4 ROW	S1-07348814001			1		
3	922	S1-02310745000	CAP,SEAL,KNURLED 7/1	S1-02310745000	1	1	1		
3	932	S1-02202475700	CORE,VLV,V PORT (M10)	S1-02202475700	1	1	1		
3	940	S1-02818913000	GASKET,DRAIN PAN	S1-02818913000	2	2	2		
3	1108	S1-1TVM5C1	TXV KIT,R454B,3/4 INCH,CHATLEFF CONN 5C	S1-1TVM5C1	1	1	1		

Suggested stocking items are shown with shaded item number.

Section : MISCELLANEOUS

Section	Callout	Replacement Part #	Description	Original Part #	CTM42C5 CES1	CTM48C5 CFS1	CTM48D5 CFS1	CTM60C5 CGS1	CTM60C5 CHS1
8	NS	6423959	CONTROL BOX ASY - A2L	6423959	1	1	1	1	1
8	NS	S1-02131419000	WASHER, TXV	S1-02131419000	2	2	2	2	2
8	NS	S1-02554126000	SENSOR, A2L REFRIGERANT, 96 INCH, SENSATA	S1-02554126000	1	1	1	1	1
8	NS	S1-02925442000	INSULATION RETAINER, C-CABINET	S1-02925442000	1	1		1	1
8	NS	S1-02925443000	INSULATION RETAINER, D-CABINET	S1-02925443000			1		
8	NS	S1-07349041001	ANGLE, TRANSITION, 21.0, MMIST	S1-07349041001	1	1		1	1
8	NS	S1-07349042001	ANGLE, TRANSITION, 24.5, MMIST	S1-07349042001			1		
8	NS	S1-37348916001	BRACE, ASSEM, CABINET W/INSUL, 21.0	S1-37348916001	1	1		1	1
8	NS	S1-37348917001	BRACE, ASSEM, CABINET W/INSUL, 24.5	S1-37348917001			1		
8	NS	S1-37349360001	BRACE, ASSEM, LOWER W/INSUL, 21.0, MMIST	S1-37349360001	1	1		1	1
8	NS	S1-37349361001	BRACE, ASSEM, LOWER W/INSUL, 24.5, MMIST	S1-37349361001			1		
8	NS	S1-37349362001	PNL, ASSEM, TUBING ACCESS W/INSUL, MMIST	S1-37349362001	1	1	1	1	1

Section	Callout	Replacement Part #	Description	Original Part #	CTM60D5 CGS1	CTM60D5 CHS1	CTM60D5 CJS1		
8	NS	6423959	CONTROL BOX ASY - A2L	6423959	1	1	1		
8	NS	S1-02131419000	WASHER, TXV	S1-02131419000	2	2	2		
8	NS	S1-02554126000	SENSOR, A2L REFRIGERANT, 96 INCH, SENSATA	S1-02554126000	1	1	1		
8	NS	S1-02925443000	INSULATION RETAINER, D-CABINET	S1-02925443000	1	1	1		
8	NS	S1-07349042001	ANGLE, TRANSITION, 24.5, MMIST	S1-07349042001	1	1	1		
8	NS	S1-37348917001	BRACE, ASSEM, CABINET W/INSUL, 24.5	S1-37348917001	1	1	1		
8	NS	S1-37349361001	BRACE, ASSEM, LOWER W/INSUL, 24.5, MMIST	S1-37349361001	1	1	1		
8	NS	S1-37349362001	PNL, ASSEM, TUBING ACCESS W/INSUL, MMIST	S1-37349362001	1	1	1		

Suggested stocking items are shown with shaded item number.

Model series repair parts lists are generated for each model number from the last production bill of material.

Major components and suggested stocking items are shown with shaded item number.

Repair parts lists are subject to change without notice.

TO ORDER AUTHORIZED FACTORY REPLACEMENT PARTS - Contact your Source1 HVAC Parts Distributor or visit our website at www.Source1Parts.com for a Distributor and Dealer listing.

Copyright © 2025 by Johnson Controls Inc. All rights reserved.

Johnson Controls Unitary Products